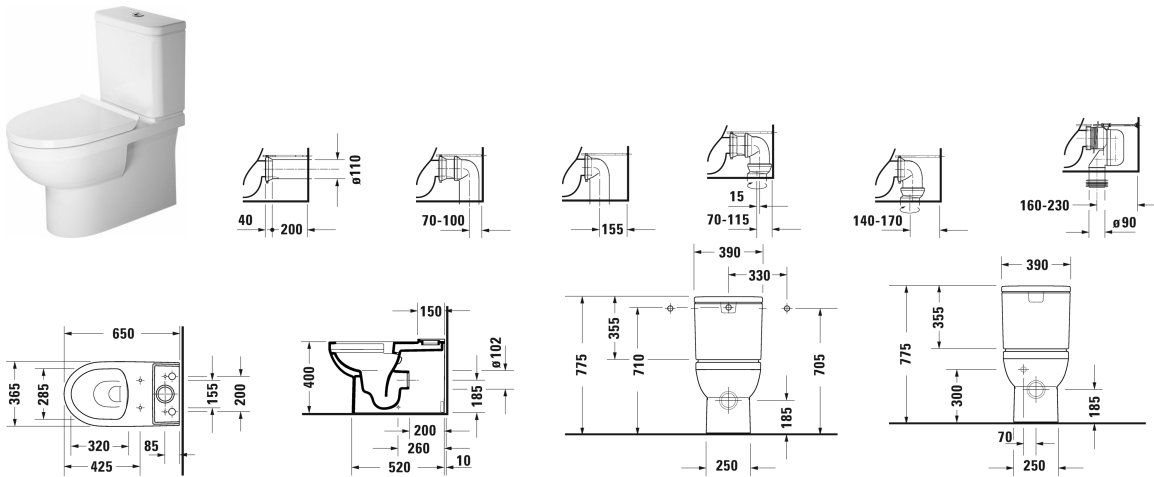


DuraStyle Basic Toilet close-coupled Duravit Rimless® #
218209..00 / 218209..68

| < 365 mm > |



Toilet close-coupled Duravit Rimless®	Dimension	Weight	Order number
rimless, (without cistern), washdown model, fixings included, Outlet for Vario connector set, for horizontal and vertical outlet, length adjustable from 70 - 170 mm, and vario connecting bend, vertical outlet from 160 - 230 mm, UWL class 1, 4,5 l			
Colors			
00 White Alpin 20 HygieneGlaze (an antibacterial ceramic glaze that provides almost indefinite effectiveness)			
Variant			
•	365 x 650 mm	31.500 kilogram	218209..00
• with holes for external water supply	365 x 650 mm	31.500 kilogram	218209..68
Infobox			
Optionally available with a standard seat and cover			
Sanitary ceramics with the special WonderGliss surface finish will remain clean and attractive-looking for a long time to come. When ordering WonderGliss please add a "1" as eleventh digit to the model number.			
Accessory			
Conversion set for back supply		0.200 kilogram	007508
Vario connecting bend for vertical outlet	\varnothing 100 mm	0.700 kilogram	899025
Vario connector set incl. excenter	\varnothing 110 mm	1.500 kilogram	001422
Suitable products			
Toilet seat and cover hinges stainless steel, with soft closure,			002079

DuraStyle Basic Toilet close-coupled Duravit Rimless® #
218209..00 / 218209..68

|< 365 mm >|

Toilet seat and cover hinges stainless steel, without soft closure,		002071
Cistern with Dual Flush mechanism, chrome, for side supply, 390 x 170 mm	390 x 170 mm	094100
Cistern with Dual Flush mechanism, chrome, bottom left supply, 390 x 170 mm	390 x 170 mm	094110
Cistern with dual flush piston valve, top flush, bottom left supply, 390 x 170 mm	390 x 170 mm	094120
Cistern Singapore version, with Dual Flush mechanism, chrome, for bottom left supply, UWL class 1, 4,0/3 L, 390 x 170 mm	390 x 170 mm	094141
Cistern with dual flush piston valve, top flush, back supply, 390 x 170 mm	390 x 170 mm	094120

All drawings contain the necessary measurements which are subject to standard tolerances. They are stated in mm and are non-binding. Exact measurements, in particular for customised installation scenarios, can only be taken from the finished piece.