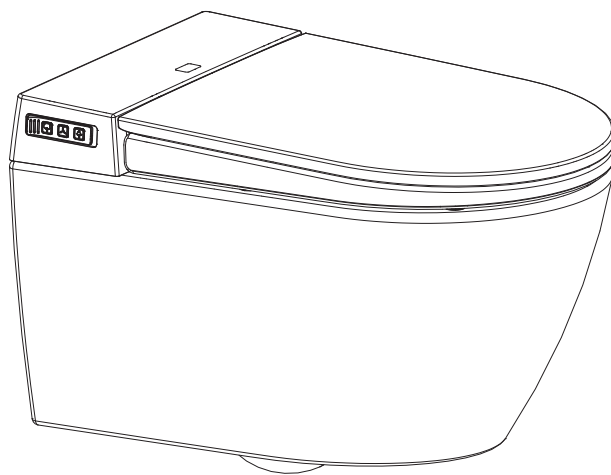


Instruction manual

WCCRR05

Smart Toilet





Contents

Safety precautions	1
Bill of material	4
Specification	5
Parts name	6
Installation Tools	7
Product installation	8
Introduction for remote control panel	11
Instructions for remote control Installation	12
Instruction	13
Side push button instruction	14
Cleaning and maintain	15
Common troubles and shooting	16
Trouble shooting and alarm maintenance	17
Maintenance Service Sheet	18
Maintenance record	19



Safety precautions

To avoid the damage and asset losing to user and other people, please strictly follow up the safety warning and noting list. Please ensure to carefully read through the user manual before the assembly, and strictly follow up the user manual to do the assembly, please keep the user manual after reading.

The sign and its implication


 WARNING	It means that if you ignore this sign, it may cause personal injury or death.
 ATTENTION	It means that if you ignore this sign, it may cause personal injury or property damage.

The following signs are used to indicate important safety precautions when using the product.


	It means not allowed, forbidden.
	It means the contents that must obey.

- Due to the continuous improvement of our products, we reserve the right of final interpretation of product changes.
- Some characteristics of the product you purchased may be inconsistent with the instructions, subject to physical products.


 **WARNING**

 Prohibited	<p>It is not allowed to continue using if the product has some breakdown</p> <p>Breakdown: product heat abnormally</p> <ul style="list-style-type: none"> Product has smoking Product has abnormal sound and smell Product has leakage, breaking or damage Toilet pan is blocked, etc. <p>When the breakdown happens, if it do not handle in time and continue using, it might trigger the problems like electric shock, injury, firing or water penetration inside the room etc.</p>
	<p>Banana water, gasoline, putty-powder, nylon brush or other (non-neutral) mundificant is not allowed to clean the plastic parts like toilet seat cover, otherwise it might trigger chemical reaction or leakage, damage the product and cause people injury.</p>
	<p>Loosen electric outlet is not allowed as it might trigger electric shock or firing.</p>
	<p>It is not allowed to pull out and plug in the electric plug by wet hand as it might trigger electric shock or firing.</p>
	<p>It is not allowed to touch the electric plug when it is thundering and lighting as it might trigger electric shock.</p>
	<p>It is not allowed to use other electric resource, the load of using electric outlet could not be too big, as it might trigger firing due to over-heat.</p>
	<p>Detergent, water, wash detergent or urine is not allowed to spot into body and electric outlet, as it might trigger electric shock or firing.</p>
	<p>It is not allowed to let child standing or put heavy goods on the seat and cover, toilet pan or seat body, heavy hitting or knocking is not allowed.</p> <p>It is not allowed to disassemble, repair this product, (it must go for professional repair person service if it is necessary to repair), otherwise, it might cause the damage to this product.</p>


 **WARNING**

 Prohibited	<p>Do not randomly damage the electric plug and electric line, if the electric line, electric plug is damaging, please do not use it any longer or change by one self, it must be changed by professional person, otherwise, it might trigger short-circuit, electric shock, firing.</p>
	<p>The stove or lighted cigarette is not allowed to be placed next to the toilet pan, cigarette butt etc is not allowed to be thrown into toilet pan.</p>

 **ATTENTION**

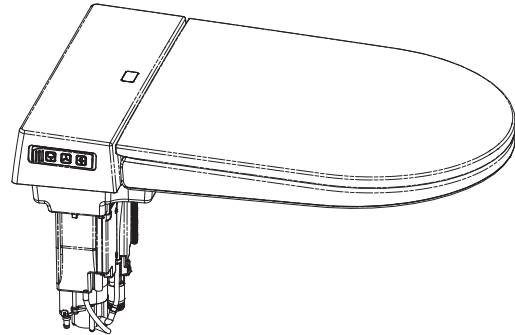
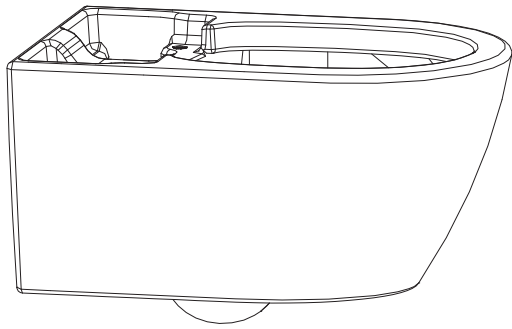
 Please follow the rules	<p>When using in shower room, please install air exchange equipment to ensure the airy and drying in the shower room. This product is electric products, it is not allowed to install it in the place that is easy high wet, easy split by water, otherwise it might trigger electric shock or fire.</p>
	<p>Please ensure to cut off the electric power before taking off this product, otherwise it might trigger electric shock or fire.</p>
	<p>Please ensure to cut off the electric power before washing this product, must not use water to directly wash this product, otherwise it might trigger the electric shock or fire.</p>
	<p>Please put and use this product in the shadow, must not put directly beneath the sun, otherwise it might cause the color-fading, or let the sunlight burn the surface of product due to the un-stability of temperature.</p>
	<p>Someone with heart-disease need to carefully and cautiously use this product, or use it under the guardian person.</p>
	<p>Do not use industrial water, wastewater, seawater, reclaimed water and other sewage, otherwise it may cause skin inflammation and other problems.</p>

 **ATTENTION**

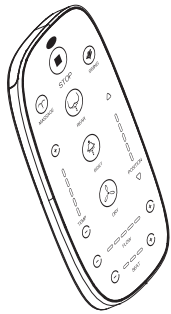
 Please follow the rules	<p>Persons (including children) with physical, perceptual, intellectual disabilities or lack of experience and common sense need to use the product under the guidance or supervision of someone else, or they may cause electric shock, injury or fire.</p>
	<p>Must notice the assembly location of electric wiring plug, electric plug need to use the water-proof plug; Assembly location of electric plug must be over 0.5m above the floor, and far away from shower, bathtub, otherwise it might cause electricity leakage.</p>
	<p>When installing this product, please remove the old hose assemblies owned by users and install them with new hose assemblies. Do not reuse the old hose assemblies to avoid related safety problems.</p>
	<p>It is not allowed to let child to play this product, child is not allowed to use or touch this product alone.</p>
	<p>The grounding wire of this product must conform to the stipulated construction mode, and the three-level grounding structure must be grounded, otherwise the use of this product is prohibited.</p>
	<p>Electric plug need to plug in the electric with air switch.</p>

Bill of material

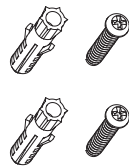
MAIN ENGINE



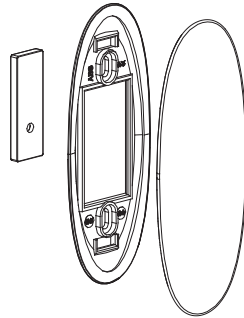
REMOTE CONTROL



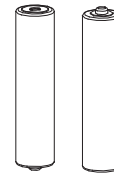
REMOTE EXPANSION
SCREW GROUP
(EACH 2 PCS)



REMOTE CONTROL
HOLDER



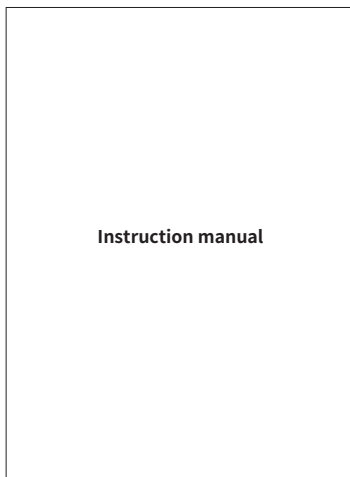
AAA
BATTERY*2
(NOT INCLUDED)



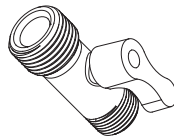
DOUBLE SIDE
TAPE



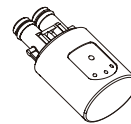
INSTRUCTIONS



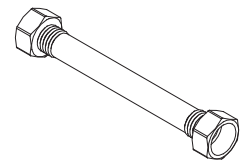
TEE-JUNCTION
COMPONENT
(1 PCS)



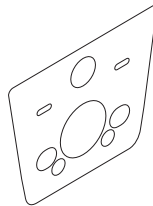
Nozzle



INLET HOSE (1 PCS)



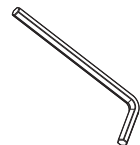
TOILET
WASHER



TOILET FIXING COMPONENT
(2 PCS)



INNER HEXAGON
SPANNER

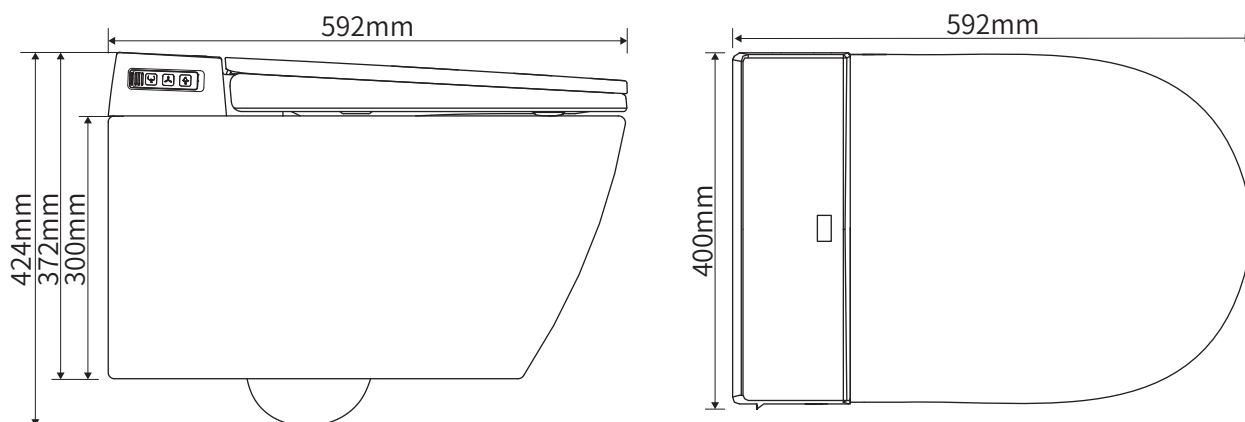


Specification

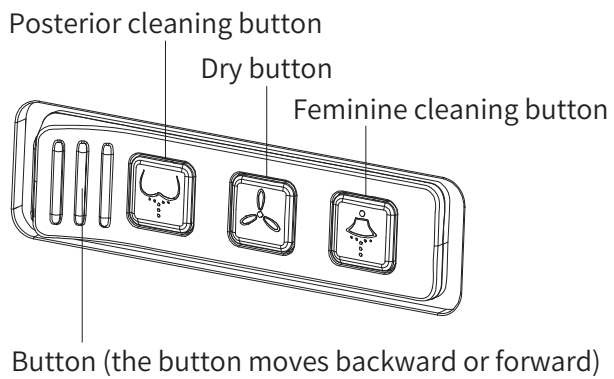
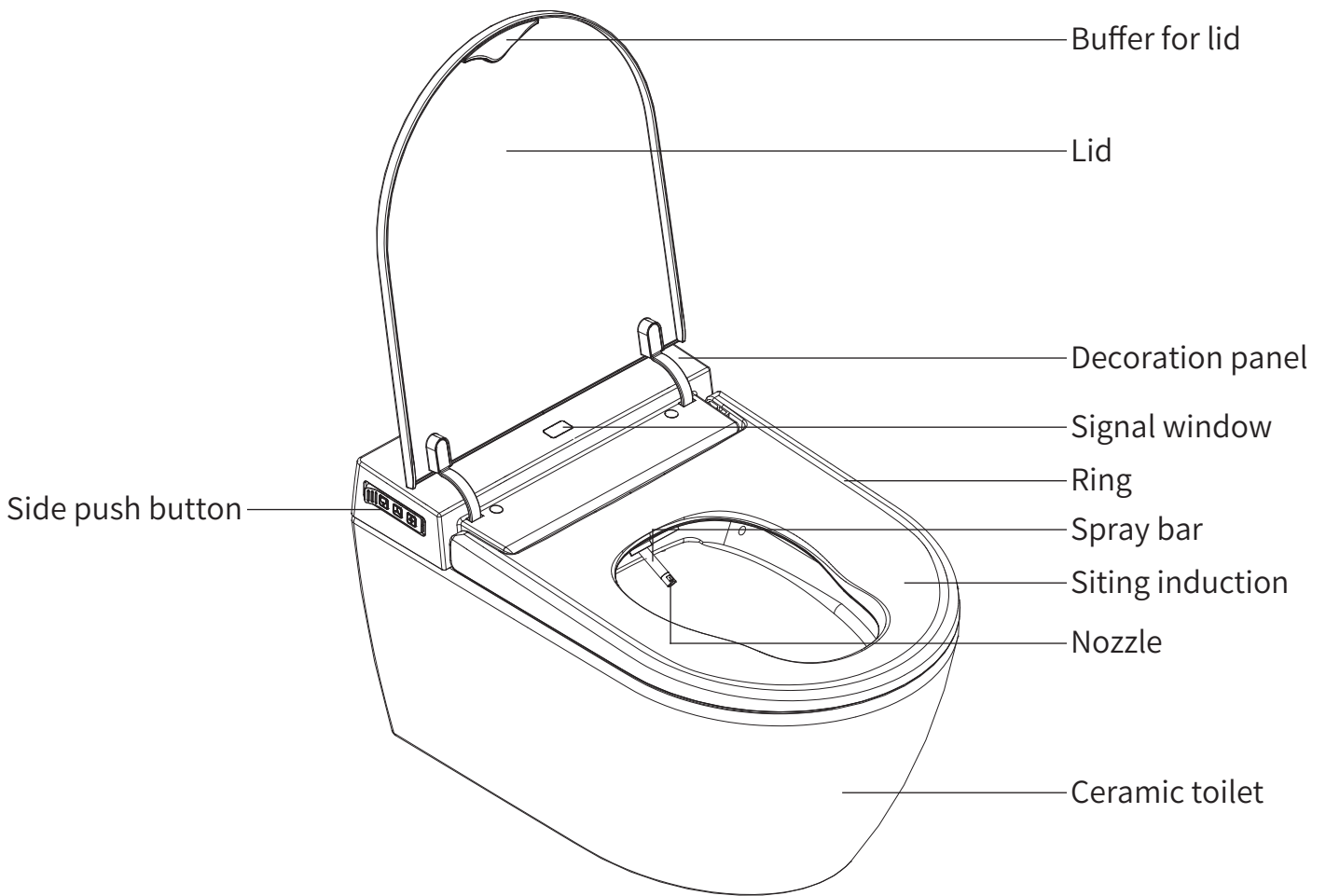
The rated power		220V-240V~ 50Hz			
Length of wire		About 500mm			
Washing equipment	Effluent-water temperature range	About 35°C~42°C			
	Cleaning water consumption	4L / 6L			
	Drainage System	washdown			
Drying device	Drying temperature control	32°C~57°C			
Seat cover Deodorization	Surface temperature	About 42°C			
	Soft-close control for seat cover	Damper device			
	Deodorant way	Activated carbon deodorant			
Rated power	1100W	Maximum power	1600W	Ambient temperature	3°C~40°C
Temperature of supplied-water	4°C~35°C	Pressure of supplied-water	0.07-0.75MPa	Waterproofing grade	IPX4
Product size	592X400X424mm				

※1: The rated power: water pressure is 0.18MPa + 0.02MPa under the ambient temperature of 20°C ± 5°C. And under the condition of 15°C ± 1°C water-inflow temperature, heighten the water quantity, the seat temperature and the water temperature in turn, to start the feminine cleaning in an average power.

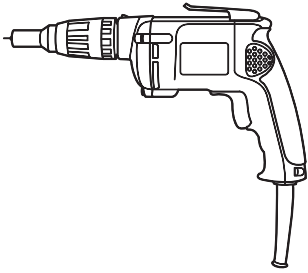
※2: Maximum power: water pressure is 0.18MPa + 0.02MPa under the ambient temperature of 23°C ± 2°C. And under the condition of 15°C ± 1°C water-inflow temperature, heighten the water quantity, the seat temperature and the water temperature in turn, to start the feminine cleaning in an average power.



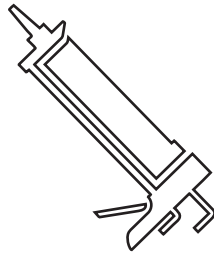
Parts name



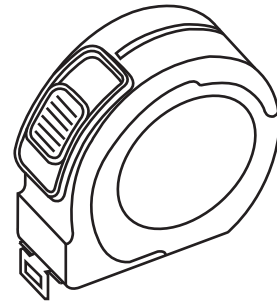
Installation Tools



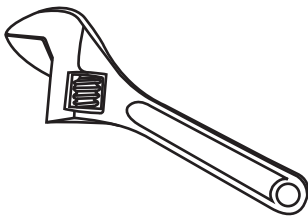
Percussion Drill



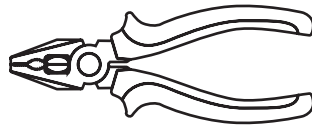
Glue gun



Tape



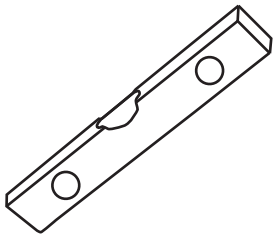
Adjustable Wrench



Pliers



Screwdriver



Gradienter



Steel saw



The knife



Inner hexagon spanner



pencil

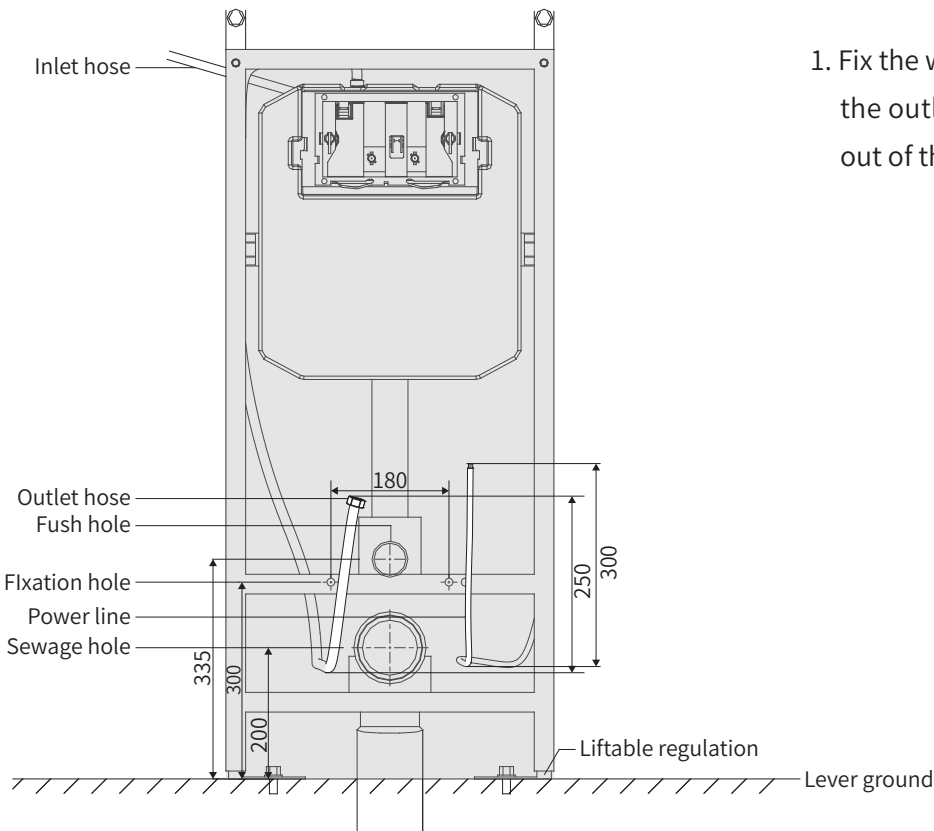


file



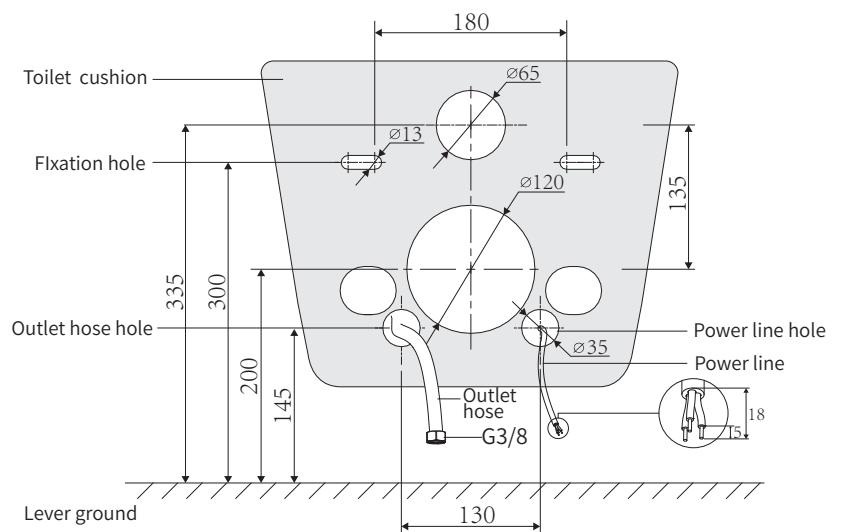
Ruler

Product installation



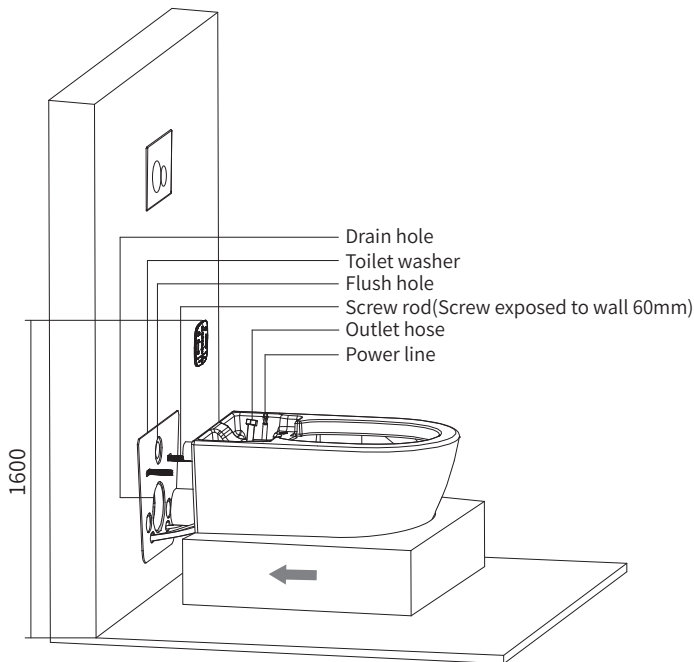
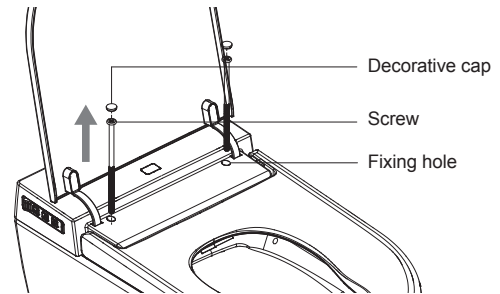
1. Fix the water tank frame and then put the outlet water hose and power line out of the wall.

2. The toilet washer is set on the wall reserving position with its fixed installation hole inserted into the screw rod, aligned with flush hole and drain hole; then put outlet water hose and power line through according hole and expose them.

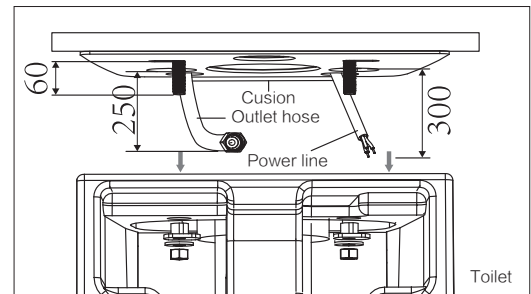


Product installation

3. Open the lid, use tool to take out the decorative cap (there is a new pair in spare part box), use screwdriver to take out screw (save the screw), take out the electronic seat & cover and put it in a clean place.



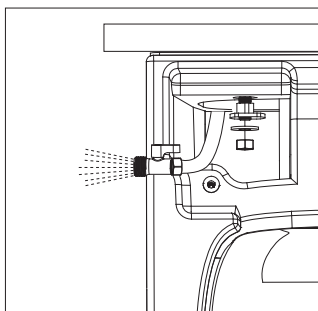
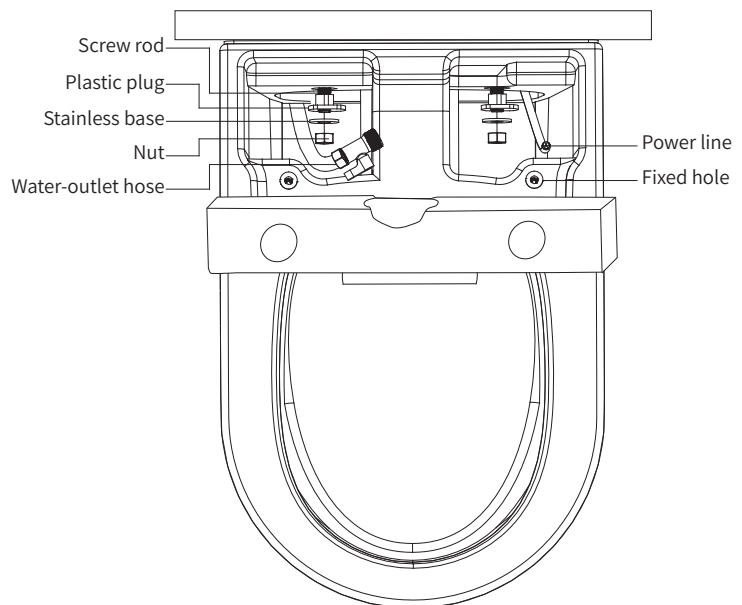
4. Put the water-outlet hose, power line into the rear of the toilet through the washer and adjust the position to put flush hole and drain hole of toilet in precise position. Move the toilet toward the wall toward the arrow direction until snaps.



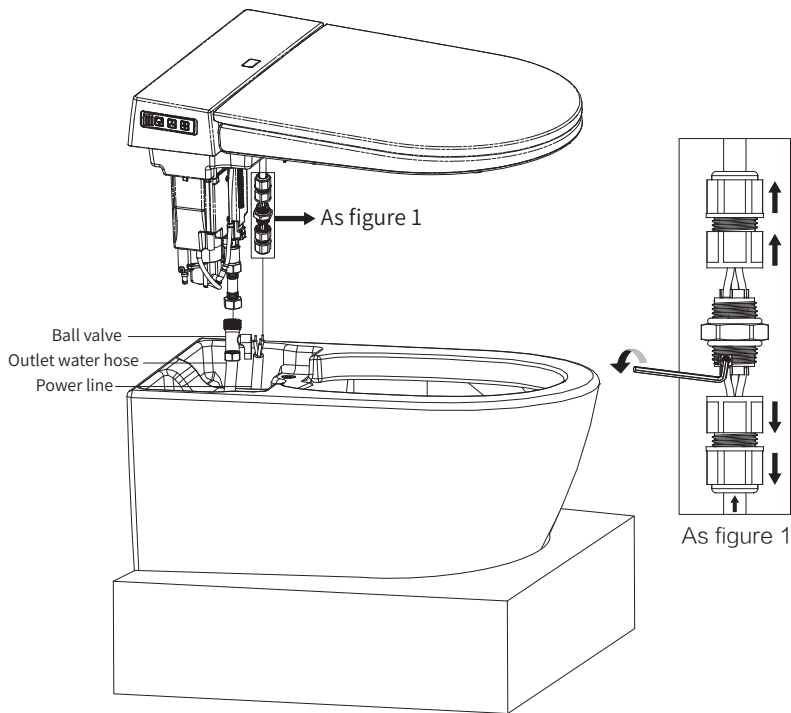
5. Keep the product in horizontal position by gradienter.

Put plastic plug, stainless base into the screw rod and tighten the nut; then the ball valve is connected to outlet-water hose.

Press flush button to discharge the drain first.

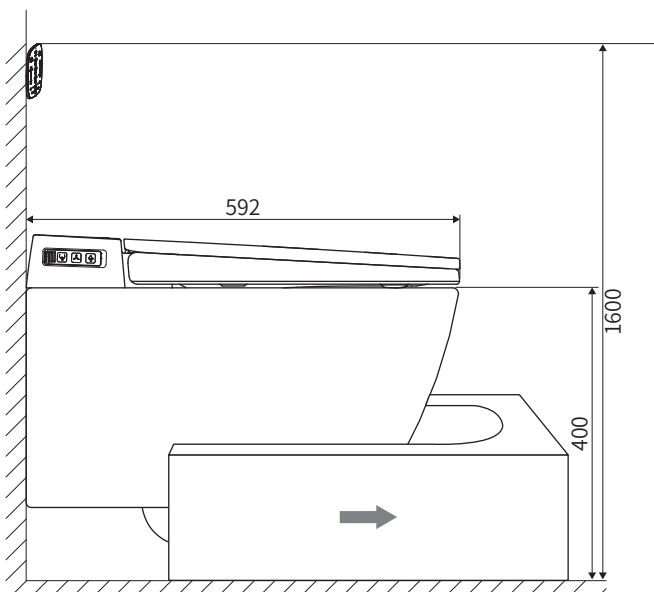
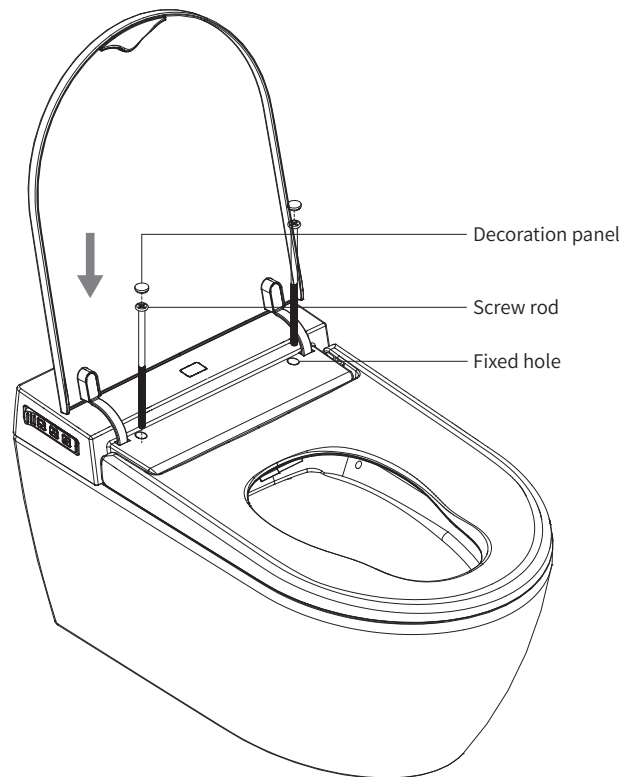


Product installation



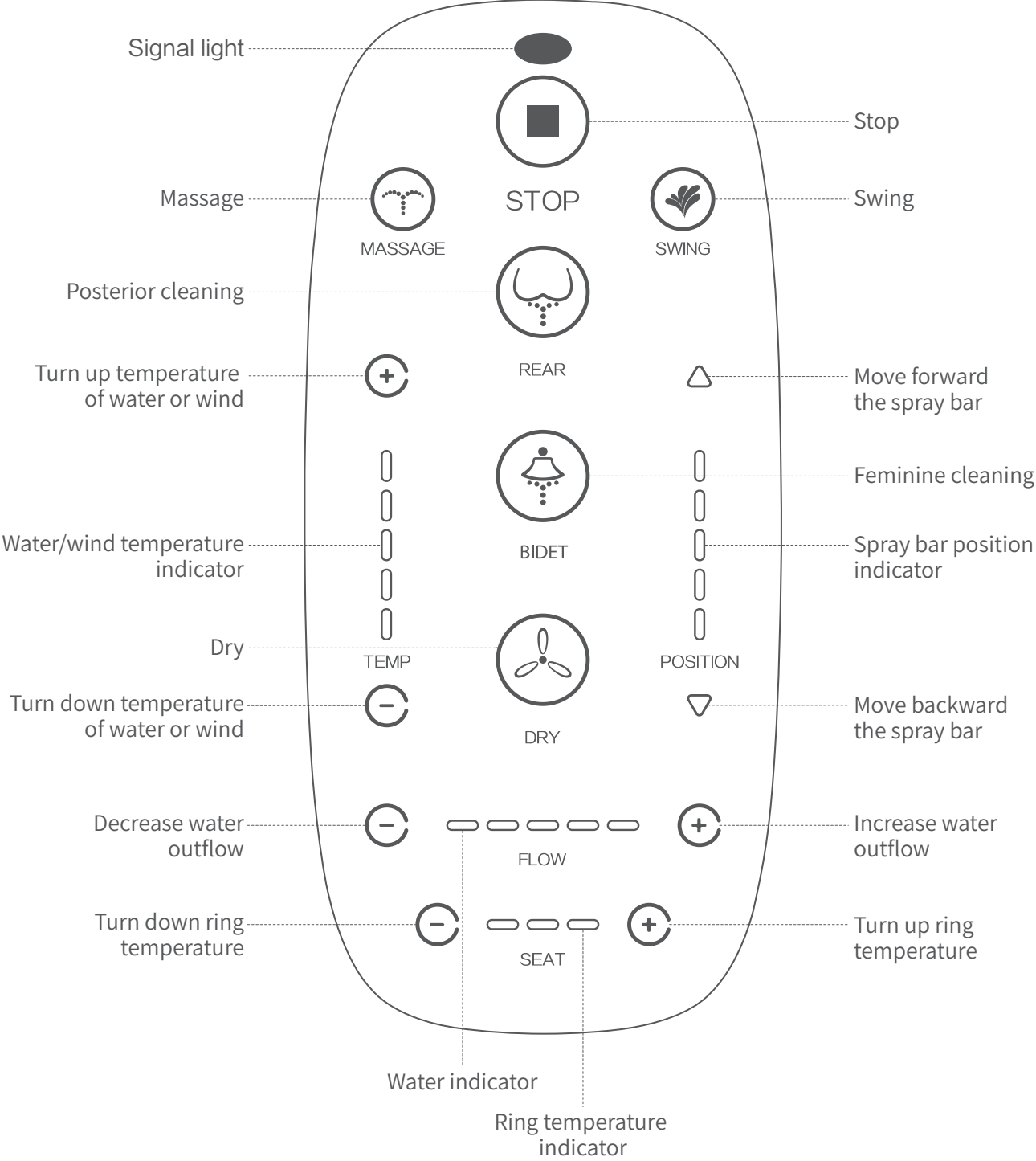
6. Attach outlet water hose and power line to toilet as the arrow shows in figure 1. Note: Users need to open the waterproof connector to check if correctly connect the power line.

7. Put the toilet seats set on the top of ceramic body and then open the upper cover, fastened by fixing screw and then put the decoration panel.



8. When finish the installation, remove the packaging toward the arrow direction. The remote control panel is installed in the distance from the ground around 1600mm for convenience.

Introduction for remote control panel



Instructions for remote control Installation

Method 1: ①.Install the remote controller fixing panel with a magnet on the remote control fixed seat and lock tightly

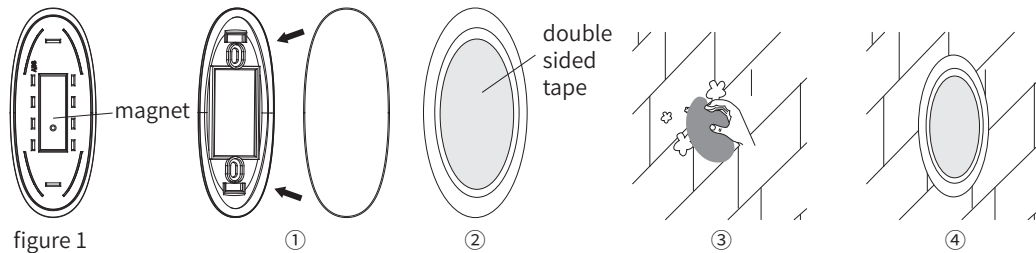
Note: Pay attention to the polarity when installing the magnet. Place the larger side of the magnet hole outside the fixed panel and enclose the small hole surface inside the fixed panel; as shown in the below figure 1;

②.Put the double sided tape on the remote control fixed seat;

③.Clean dust, grease, water droplets on the walls and wipe them clean;

④.Press the remote control fixed seat with double sided tape on it, Press it evenly for 3 to 5 min Utes. Attach the remote control fixed seat to the wall;

Note: The method is applicable to glazed tiles, glass and smooth wall

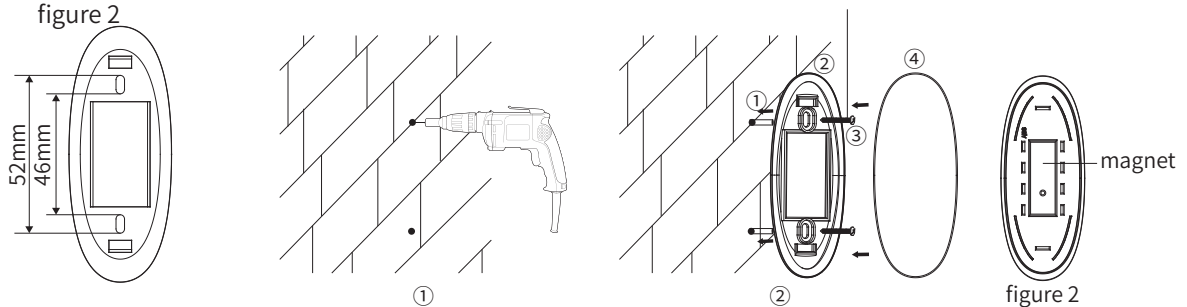


Method 2: ①.Drill a hole of 46mm-52mm length and 22mm depth on the wall by the drill with the diameter of 6mm

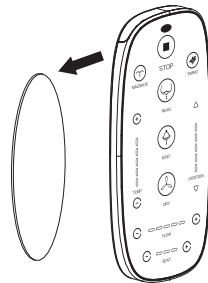
Note: the position of the hole shall be satisfied when the person is seated on the seat cover. It is convenient for the user to catch the remote control;

②.After installing the expansion plug in the wall align the fixing hole of the remote controller at the expansion plug and then locking the bolt. Install the remote controller fixing panel with a magnet on the remote control fixed seat and lock tightly.

Note: pay attention to the polarity when installing the magnet. Place the larger side of the magnet hole outside the fixed panel and enclose the small hole surface inside the fixed panel; as shown in the below figure 2



Put the remote controller on the fixed base after installing the battery, and the remote controller can automatically absorb on the fixed base.

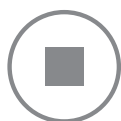


Note: ※ Please place the remote on the fixed place if not use. (To avoid the remote falling down)

※ It may cause damage if the remote controller falls down.

※ Please do not spill water on the remote control or drop into the water, or it may cause damage.

Instruction



Stop

- ※ Press the button, all functions off.
- ※ The way to switch the atmosphere lamp is to hold the STOP button



Posterior cleaning

- ※ Press the button, rear function on after sounded, auto off after 2 mins or off by pressing the stop button.
- ※ Function will stop immediately if user leaves.



Feminine cleaning

- ※ Press the button, bidet function on after sounded, auto off after 2 mins or off by pressing the stop button.
- ※ Function will stop immediately if user leaves.



Dry

- ※ Press the button, dry function on after sounded, auto off after 2 mins or off by pressing the stop button.
- ※ Function will stop immediately if user leaves.



Massage

- ※ Under posterior/feminine cleaning mode, per press the massage button, the working mode can be changed and setting;
- ※ Interval massage mode: nozzle will expulsion the water to clean under different water gage;
- ※ Powerful massage mode: nozzle will expulsion the water to clean under increase water gage;

Massage working mode:

No massage-Interval massage- Powerful massage- No massage is a circulate



Swing

- ※ Under posterior/feminine cleaning mode, press swing button, start to move cleaning mode, nozzle moving cleaning back and forth, press swing button again, stop move cleaning, waiting the posterior/feminine cleaning mode stop or press stop button to stop work.

Water temperature setting

- ※ Under rear mode or bidet mode, the initial gear is 3, press plus button will increase the water temperature, press minus button will decrease the water temperature. Total 5 gears, and corresponding indicator will on under different gear.

Wind temperature setting

- ※ Under dry mode, the initial gear is 3, press plus button will increase the wind temperature, press minus button will decrease the wind temperature. Total 5 gears, and corresponding indicator will on under different gear.



Spray position adjusting

- ※ Under Posterior and feminine mode, the initial gear is 3, press plus button will forward the spray position, press minus button will backward the spray position. Total 5 gears, and corresponding indicator will on under different gear.





Flow adjusting

※Under rear mode or bidet mode, press plus button will increase the water flow, press minus button will decrease the water flow. Total 5 gears, and corresponding indicator will on under different gear.



Seat temperature adjusting

※Seat heated after seated, press plus button will increase seat temperature, press minus button will decrease seat temperature. Total 5 gears, and corresponding indicator will on under different gear.

Side push button instruction

Posterior & Feminine cleaning function show:

Function 1: Press posterior/feminine cleaning button to start clean hip/women' s private parts.

Function 2: Under posterior/feminine cleaning mode, press relevant button again to stop cleaning.

Function 3: Hold down posterior/feminine cleaning button to be run below mode:

Posterior/feminine cleaning→ massage cleaning→dry→stop

※Remark: Users can turn on/off the night light function when not seating on the toilet.

Dry function show:

Function 1: Press the dry button to start dry the moist parts with warm wind.

Function 2: Under dry mode, press the dry button to stop drying.

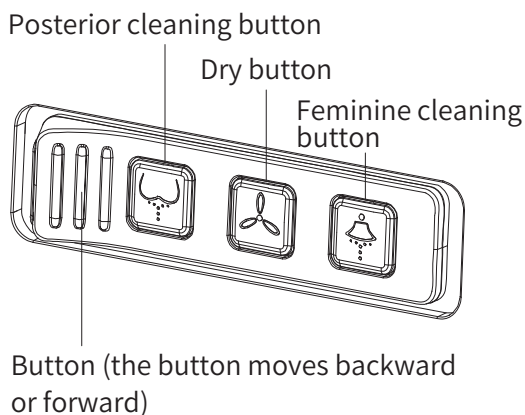
Push button function show:

Function 1: Under posterior/feminine cleaning mode, push forward the side button to adjust the position of the nozzle ;(default gear is 3, total 5 gears)

Function 2: Under posterior/feminine cleaning mode, push forward the side button to adjust volume of water;(default gear is 3, total 5 gears)

※Remark: The way to switch the above two functions is to hold the dry button more than 2 seconds, the function switch successfully after it sounded "Di" .

Function 3: Under the dry mode, push forward the side button to adjust temperature; (default gear is 3, total 5 gears)



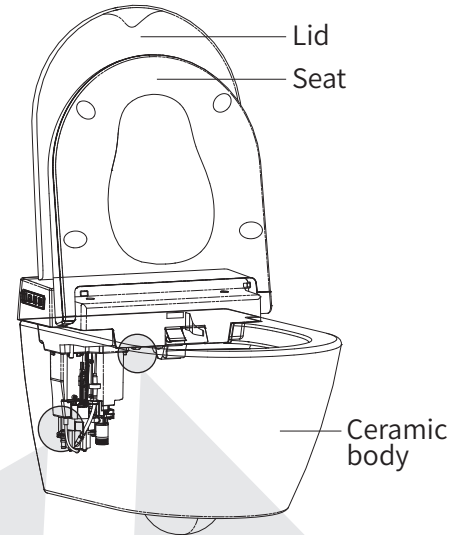
Cleaning and maintain

Lid and seat cleaning

- 1、Turn off the power and water inlet valves.
- 2、Wipe the lid and seats by sponge or smooth cloth with soap or mild detergent.
- 3、Turn on the power and water inlet valves

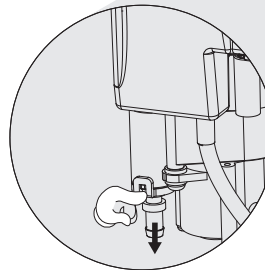
Ceramic body cleaning

- 1、Cut the power supply plug off.
- 2、Clean the ceramic body by toilet brush with specified detergent.
- 3、Plug in and press the flush button to wash away the detergent.

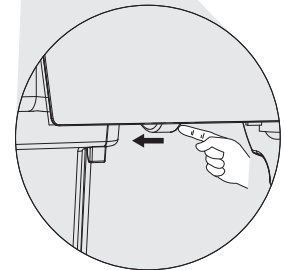


Winter product maintain

- 1、When not in use for a long time in winter, refer to the right picture and drain the water in the tank to prevent ice.
- 2、When not in use for a long time in winter, refer to the right picture and drain the water in the heater to prevent freezing.

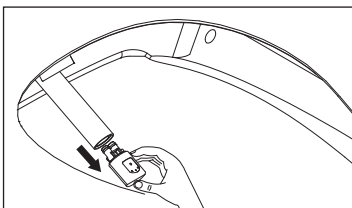


Water tank discharge mechanism

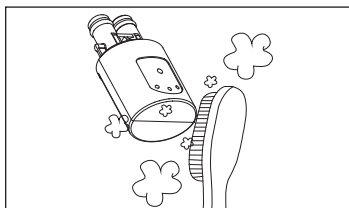


Heater Drainage Mechanism

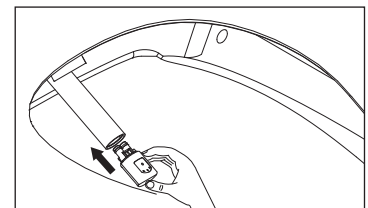
Nozzle cleaning



- ① Press the posterior-cleaning button & bidet button after 2 second to make the nozzle extends out of the machine, then remove the nozzle.



- ② Wipe the nozzle and spray rod by the toothbrush, sponge, or smooth cloth with soap or mild detergent.



- ③ After installing the nozzle, press the stop button or press the posterior cleaning button & bidet button after 2 second, the nozzle will be automatic retraction into the machine.

WARM PROMPT

- ※ Please do not immerse or flush the product with water at the risk of electric shock or product damage.
- ※ Please do not use hydrogen chloride cleaning agent, diluent, pesticides and other non-neutral detergent to clean the product, and do not use sandpaper or rough cloth to scrub it

Common troubles and shooting

The product out of work	Whether the power supply is plugged in or the leakage protector is disconnected	Switch the power supply
No response when press the button of posterior cleaning & feminine cleaning & drying	No water outflow from nozzle or the water yield is very.	Please press the stop button and wait for the water supply
		Please open the water-inflow valve if it is closed
	The continuous-time of sensor working will make the safety device opened.	For security's sake, please sit down again if you've sit on the seat over one hour
	The sensor is insensible that someone sit on.	Please sit down in a correct position
The nozzle has been in use for a long time	The nozzle will stretch out to proceed self-cleaning after pressing the button of posterior cleaning or feminine cleaning.	It's a common phenomenon and just need to wait for several seconds.
The nozzle stops cleaning suddenly when it's on work	The nozzle stops spraying after cleaning for a period of time, then recover automatic after 120 seconds.	It's a common phenomenon.
The nozzle stops cleaning suddenly	If the user moves too fast or leaves the seat, the seat sensor cannot detect in a short time.	Sit back on the seat sensor detection position, then start the relevant button.
Low water pressure when posterior cleaning or feminine cleaning	The water-inflow hose may leakage	Check the hose and tighten it
Deodorization effect is not obvious	The seat sensor is insensible and no deodorization voice	Sit back on the seat sensor detection position
	Activated carton filter block or spacer may be blocked	Remove the deodorizing window to clean or replace the activated carbon filter
Deodorant function continues to work after users leaves	The deodorant function will be continue to work for 20 seconds in order to remove the residual odor after the user leaves.	It's a common phenomenon

Trouble shooting and alarm maintenance

Phenomenon	Reasons	Measures
If the power light glitters 1 times as it lights for 2 seconds	It can be detected that inlet water temperature sensor is faulted or broken circuit	You should cut off the power supply immediately and stop using the product, then contact the local dealer or call service hotline.
If the power light glitters 2 times as it lights for 2 seconds	It can be detected that outlet water temperature sensor is faulted or broken circuit	
If the power light glitters 3 times as it lights for 2 seconds	It can be detected that wind temperature sensor is faulted or broken circuit	
If the power light glitters 4 times as it lights for 2 seconds	It can be detected that the seat temperature sensor is faulted or broken circuit	
If the power light glitters 7 times as it lights for 2 seconds	It can be detected that the dryer fan is faulted	

※WARM PROMPT

If you are in trouble, please read the above trouble shooting and repair the product according to the instruction of the solution. If the problem is not in the common troubleshooting, please contact the professionals, dealers, or call the national unified service hotline to ask for help.

Please note that there will be no any notification if any changes to this product and also accessories. There may be difference between contents and material objects, please subject to the latter one.

Maintenance Service Sheet

Appendix 1:


Product model		Manufacture number	
The selling		Purchase	
Province	City	Dealer (signature):	
Repair content			
<p>Free maintain regulation:</p> <ol style="list-style-type: none"> Free maintenance is provided when you use it properly in accordance with instructions and under warranty. Please contact the dealer or the company if the fault occurs under warranty. Although during the warranty period, the following situations need to be repaired for a fee: <ol style="list-style-type: none"> Faults or damages caused by the improper operation, repair or reinstall. Faults or damages caused by forced movement after the product is installed. Faults or damages caused by natural disasters (earthquakes, fires, floods, lightning strikes and other natural disasters) or corrosive liquids or abnormal voltage. Faults or damages caused by other approaches which are not for family-use. Fail to provide the maintenance-service sheet. There is no detailed records or there are modified records on the maintenance-service sheet. This maintenance-service sheet is valid. This maintenance-service sheet is unrepeatable, please safe keep it. The customer can go to the local repair network or sent the products back to the company for free repair with in three years from the purchase date. 			
			client stub

Cut-line

Appendix 2:

Client	Name			
	Address			
Product model		Manufacture		
The selling store		Purchase date		
Executive standard		Warranty period	Within three years from the purchase date	

Maintenance record



Cut-line

